



$R_w 24 \div 33$  dB



system consistency  
with GSW Office

## Glass door

### System description

A lightweight and delicate form where the glass door panel creates a continuity effect in glass walls.

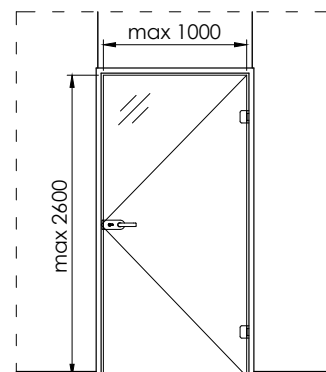
- ✓ universal mounting methods in any type of GSW Office frame - both single and double glazed walls as well as in traditional concrete wall,
- ✓ many configuration options - the door can be additionally equipped with an electric strike, surface door closer and an acoustic drop-down seal,
- ✓ through EasyFix, mounting the hinges and the lock strike plate is very convenient. There is no need for profiles prefabrication due to adjustable assembly elements.



# Glass door

## Specification

Durability*	Class 6 (200 000 cycles)
Type of filling	ESG 8, 10
Max height (mm)	2600**
Max width (mm)	1000
Acoustic insulation	$R_w = 24/32/33$ dB, $R_{A1} = 24/31$ dB
Smoke tightness	on request
Fire resistance	-
Materials / finish	Anodized aluminum / Aluminum RAL



\* According to PN-EN 12400:2004

\*\* the use of a higher leaf requires consultation

## Acoustic insulation

Glass	$R_w$ [dB]	C [dB]	$R_{A1}$ [dB]	$R_{A1,R}$ [dB]
ESG 8 (without drop down seal)	24	0	24	22
ESG 8	32	-1	31	29
ESG 10	33	-2	31	29

## Drop down seal

The system provides for the possibility of using a drop-down seal, which seals the threshold space when the door is closed. The profile mounted on the lower edge of the leaf corresponds to the dimensions of the profile fixing the fixed glazing. The solution is based on the technology of the Planet company.

