

INSPIRING SPACES

Imaginez vos espaces de vie



INSPIRING SPACES

Imaginez vos espaces de vie

SINCE 1953,

hOyez partitionsystems offers a wide range of partitions and doors for the creation of living spaces.

Each of our products can be adapted to suit all of your aesthetic, technical and practical layout design requirements.

Choosing the hOyez brand guarantees the successful creation of your working spaces!

hOYEZ PARTITION SYSTEMS



04.

HT PARTITION

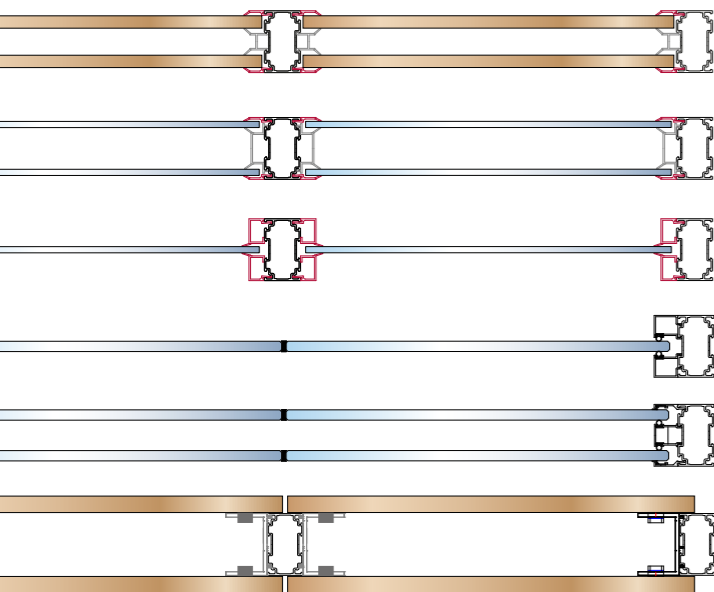
34mm (1 13/32")



06.

H5 PARTITIONS

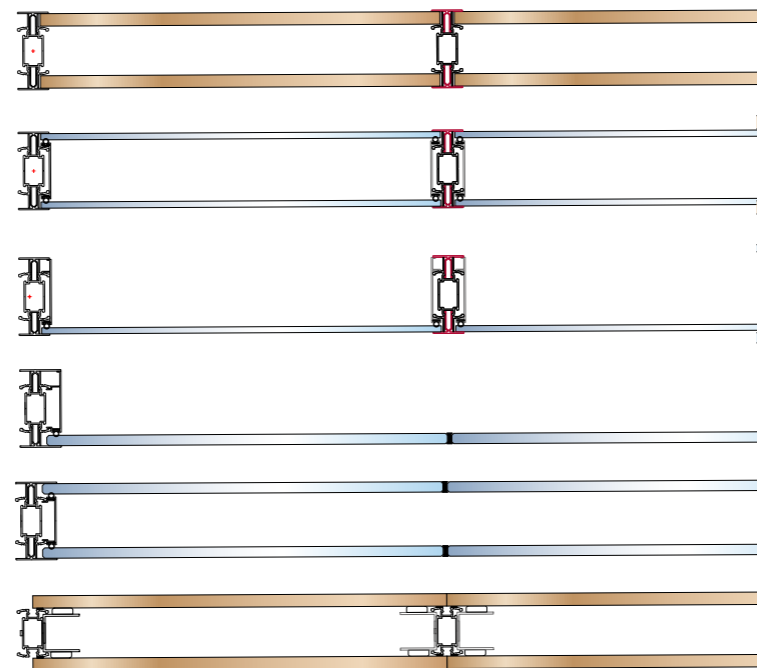
60mm (2 3/8")



14.

H7 PARTITIONS

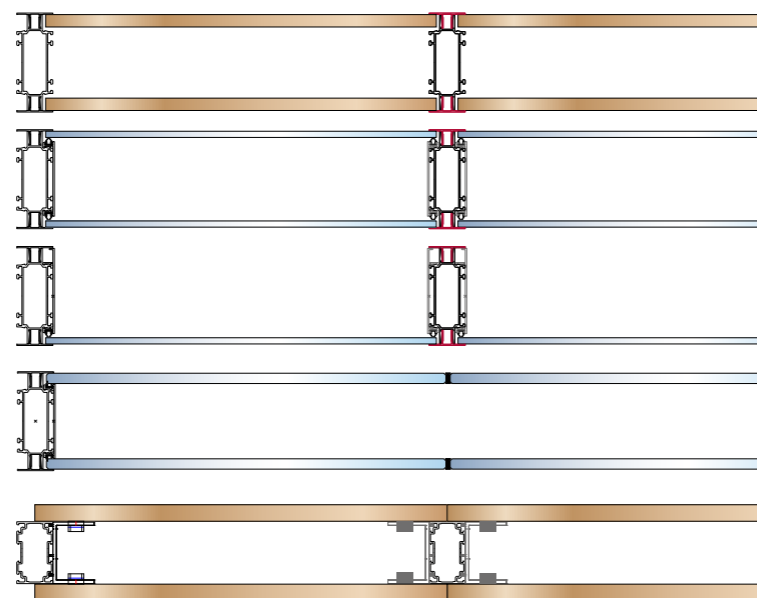
75mm (2 15/16")



22.

H9 PARTITIONS

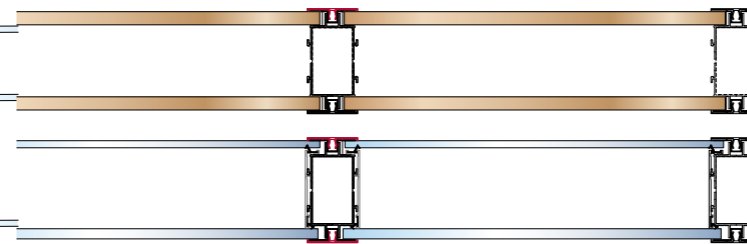
96mm (3 3/4")



30.

HF10 PARTITION

104mm (4 1/8")-FIRE-RATED



32.

H SOLUTIONS

H7DW & Bâti H

Integration of glazed frame and door frame in all drywall

34.

DOORS

hOyez doors with aluminium frame:

TERTIAL - LINEAL

H'FLUSH 71 - H3

WOOD Door- GLASS Door

FINISHES & CERTIFICATIONS

- Acoustic performance
- Main characteristics of partitions
- Door fittings
- "Think green"
- Our environmental commitment

H² TRANSPARENCY



PARTITION WITH MINIMAL ALUMINIUM FRAME AND FULL HEIGHT SINGLE GLAZING

Aluminium frame (34mm - 1 1/2") without any intermediate post between glazing

Glazing vertically maintained with connecting strip:

- Anodized or black aluminium
- Polycarbonate
- Adhesive I-shaped

Single glazing with polished edges up to 3800mm:

- Tempered glass: 10 (3/8") to 15mm (1/2")
- Laminated glass 55/2 (10,8mm - 7/16" Laminated) to 88/2 (16,8mm - 21/32")

Angles: Connecting strip 2D / 3D

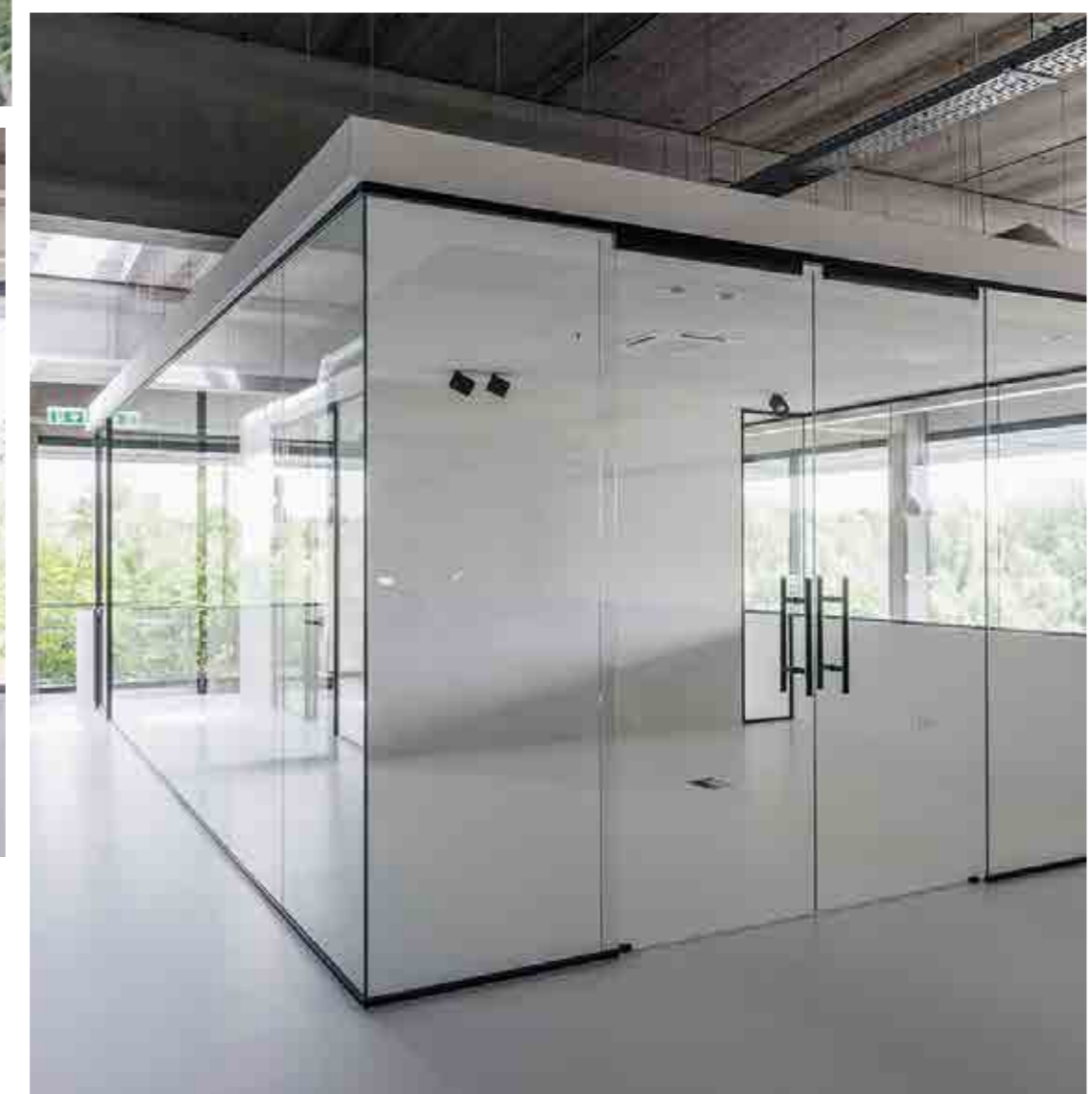
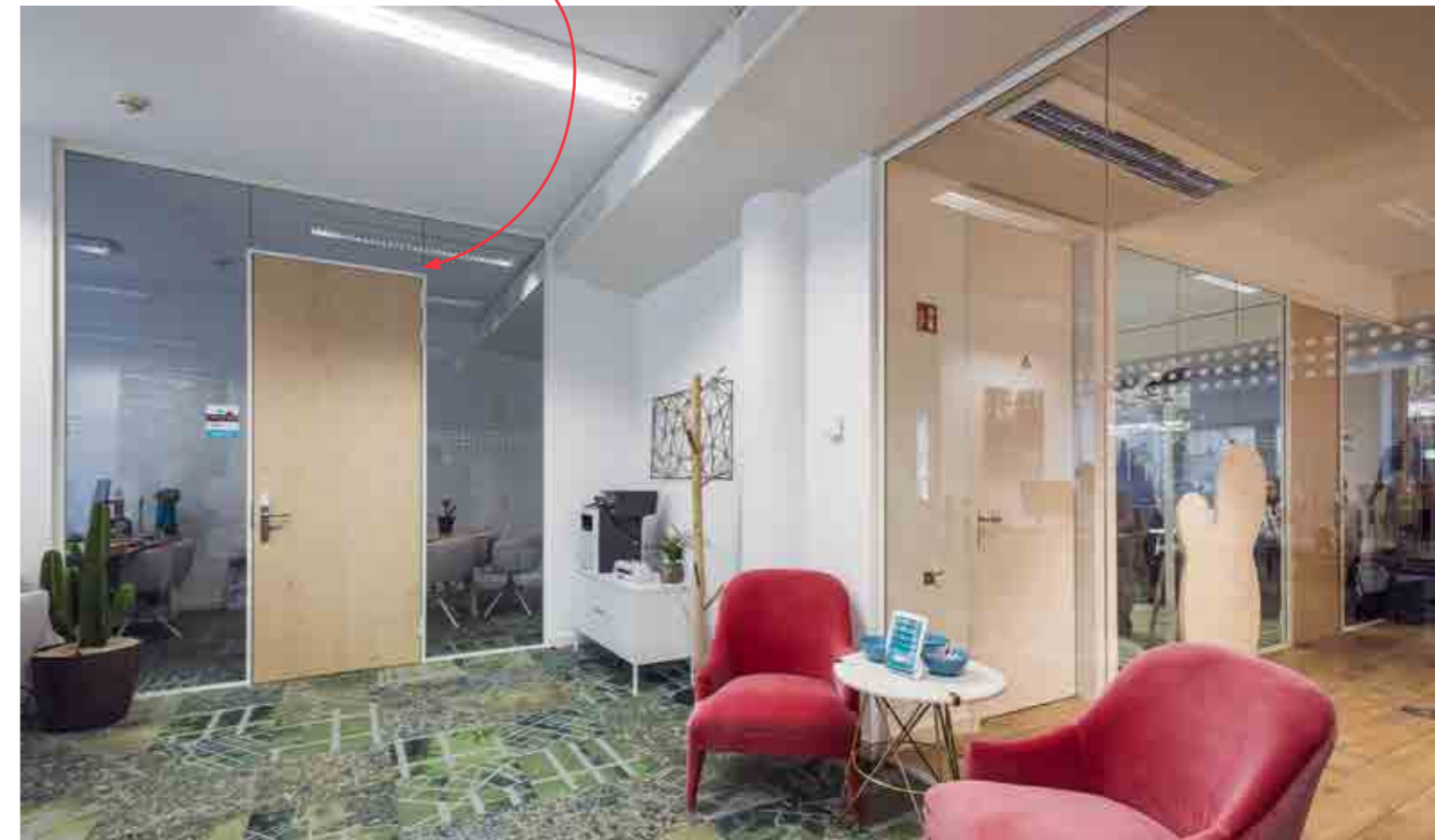
Installation: bracket

Correction of uneven levels: horizontal and vertical

Possibility of monobloc door jamb ⁽¹⁾

STC RATING
32 > 40 dB Rw
30 > 40 dB Ra

TRAVERSE LOAD CERTIFICATION





H5

H5 - H5T - H5JC

60mm (2 3/8") aluminium frame
Partition with strips

H5

60mm (2 3/8") PARTITIONS WITH STRIPS

Aluminium frame (60mm-2 3/8")

Infills held with aluminium or PVC strips (various sections)

- Single or double panels: 6 (1/4") to 52mm (2 1/16")
- Single or double glazing: 6mm (1/4") to 44/2 (8,8mm-3/8" Laminated)

Installation:
spring and eccentric screw

Correction of uneven levels:
horizontal and vertical



STC RATING

43 > 47 dB Rw

40 > 44 dB Ra

**TRAVERSE LOAD
CERTIFICATION
CERFF**



H5T

WALL WITH FULL HEIGHT CENTERED SINGLE GLAZING OR DOUBLE GLAZING

60mm (2 3/8") partition without any intermediate post between the glazing

Glazing vertically maintained with connecting strip:

- Anodized or black aluminium
- Polycarbonate
- Adhesive I-shaped

Single or double glazing with polished edges:

- Tempered glass: 10 (3/8") or 12mm (1/2")
- Laminated glass 55/2 (10,8mm - 7/16" Laminated) to 66/2 (12,8mm - 1/2" Laminated)

Angles: Connecting strip 2D / 3D

STC RATING

34 > 44 dB Rw

32 > 43 dB Ra

TRAVERSE LOAD CERTIFICATION



H5 JOINTS

PARTITION WITH SUSPENDED PANELS AND VARIABLE GAP BETWEEN THE PANELS

60mm (2 3/8") partition with
suspended panels on aluminium
frame with hook system on the back
of the panels

Horizontal or vertical gap from
0 to 30mm (1 3/16") on 1 or 2 sides

Thickness with infills:
94 (3 3/4") or 100mm (4")
-panels, 16 (5/8") or 19mm (3/4") thick-

Finishes: Melamine faced or
laminated boards with 4 side edging
strips

STC RATING
44 > 49 dB Rw
42 > 47 dB Ra
CERFF





H7

H7 - H7T - H7B

75mm (2 15/16") aluminium frame
Partition with cover-trims

H7

75mm (2 15/16") PARTITION WITH COVER-TRIMS

Aluminium frame (75mm-2 15/16")

Infills held with cover-trims (30mm-1 3/16")

- Double panels: 12 (1/2") to 13mm (1/2")
- Single or double glazing:
6 (1/4") to 44/2 (8,8mm-
3/8"Laminated)

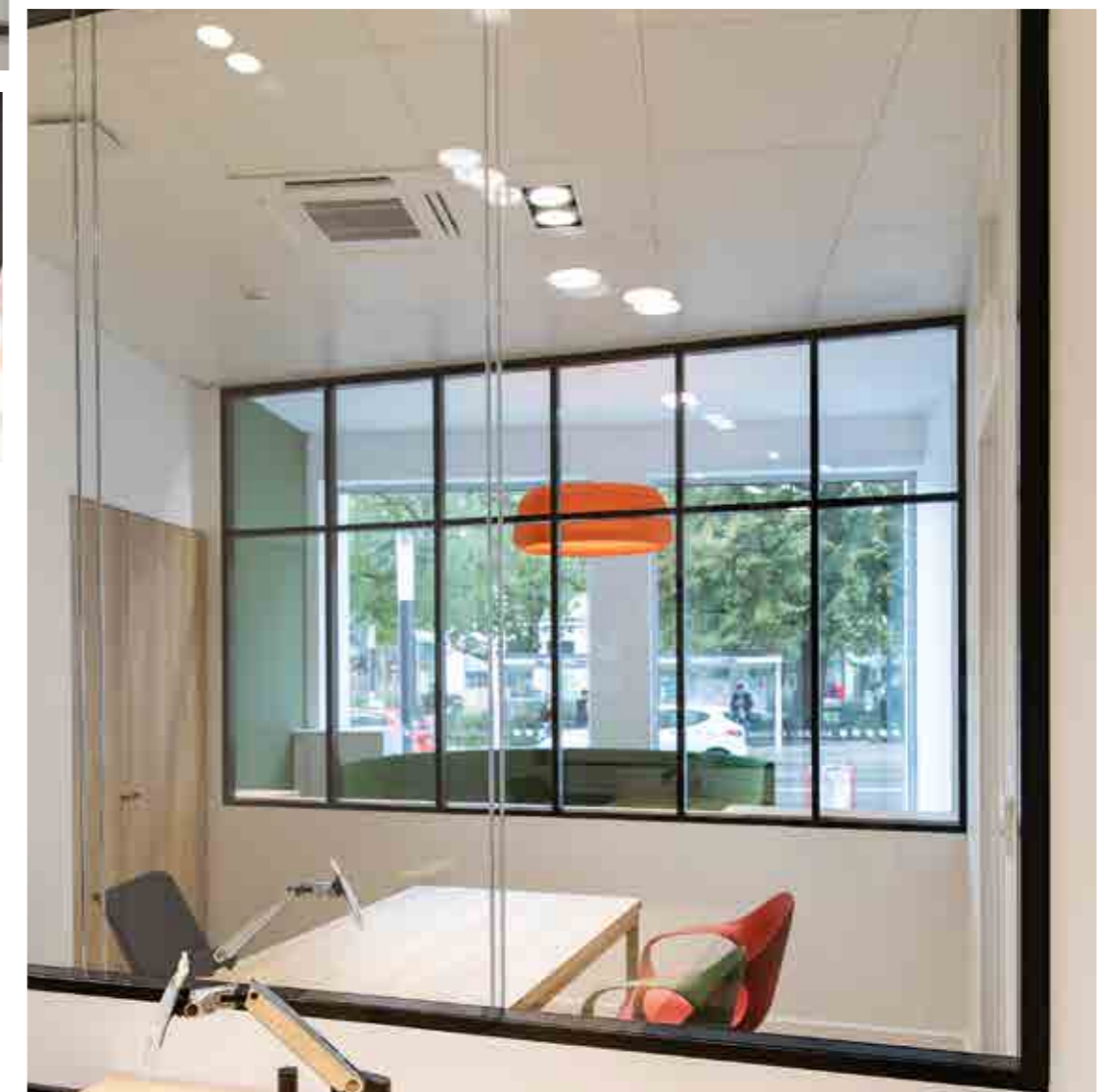
Installation:
spring and eccentric screw / bracket

Correction of uneven levels:
horizontal and vertical



STC RATING
41 > 52 dB Rw
39 > 48 dB Ra

**TRAVERSE LOAD
CERTIFICATION
CERFF**



H7 TRANSPARENCES

H7T

PARTITION WITH FULL HEIGHT DECENTERED SINGLE GLAZING OR DOUBLE GLAZING

75mm (2 15/16") partition without any intermediate post between the glazing

Glazing vertically maintained with connecting strip:

- Anodized or black aluminium
- Polycarbonate
- Adhesive I-shaped

Decentered single glazing or double glazing with polished edges:

- Tempered glass: 10 (3/8") or 12mm (1/2")
- Laminated glass 55/2 (10,8mm - 3/8" Laminated) to 66/2 (12,8mm - 1/2" Laminated)

Angles: Connecting strip 2D

H7T- Double glazing: possibility of monobloc door jamb⁽¹⁾

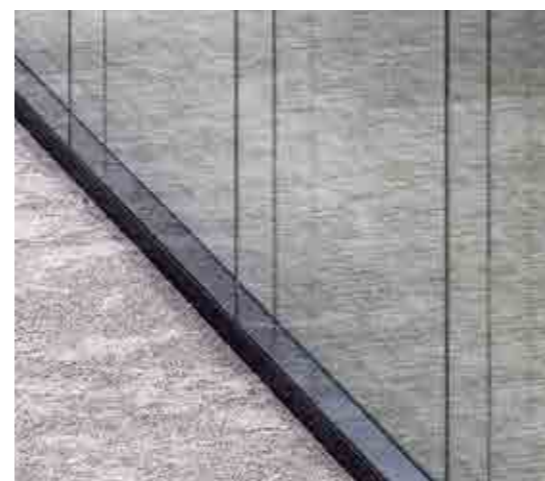
STC RATING

41 > 48 dB Rw

39 > 46 dB Ra

TRAVERSE LOAD CERTIFICATION

(1)



H7 PANEL TO-PANEL

H7B
H7B

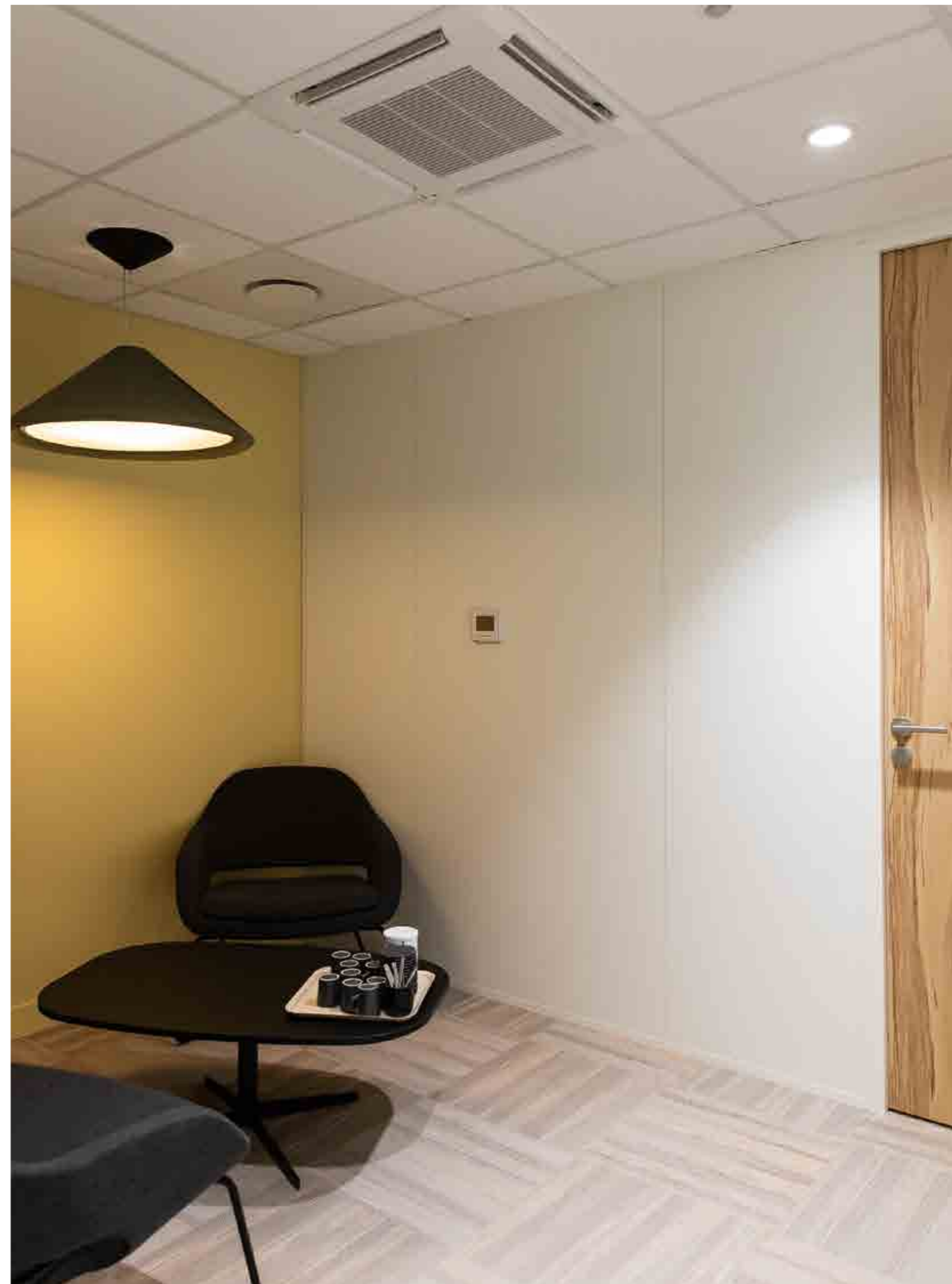
PARTITION WITH
A PENCIL-LINE JUNCTION
BETWEEN PANEL
ON 1 OR 2 SIDES

75mm (2 15/16") partition
without any intermediate
cover-trim between panels

Adjusting system enabling
perfect panels flatness.

Melamine or sheet metal
finish (thickness: 12mm - 1/2")

STC RATING
41 > 50 dB Rw
39 > 47 dB Ra
CERFF





H9

H9 - H9T - H9B

96mm (3 3/4") aluminium frame
Partition with cover-trims

H9

96mm (3 3/4") PARTITION WITH COVER-TRIMS

Aluminium frame (96mm-3 3/4")

Infills held with cover-trims (35mm-1 3/8")

- Double panels: 12 (1/2") to 16mm (5/8")
- Single or double glazing: 6mm (1/4") to 44/2 (8,8mm-3/8" Laminated)

Installation:
spring and eccentric screw / bracket

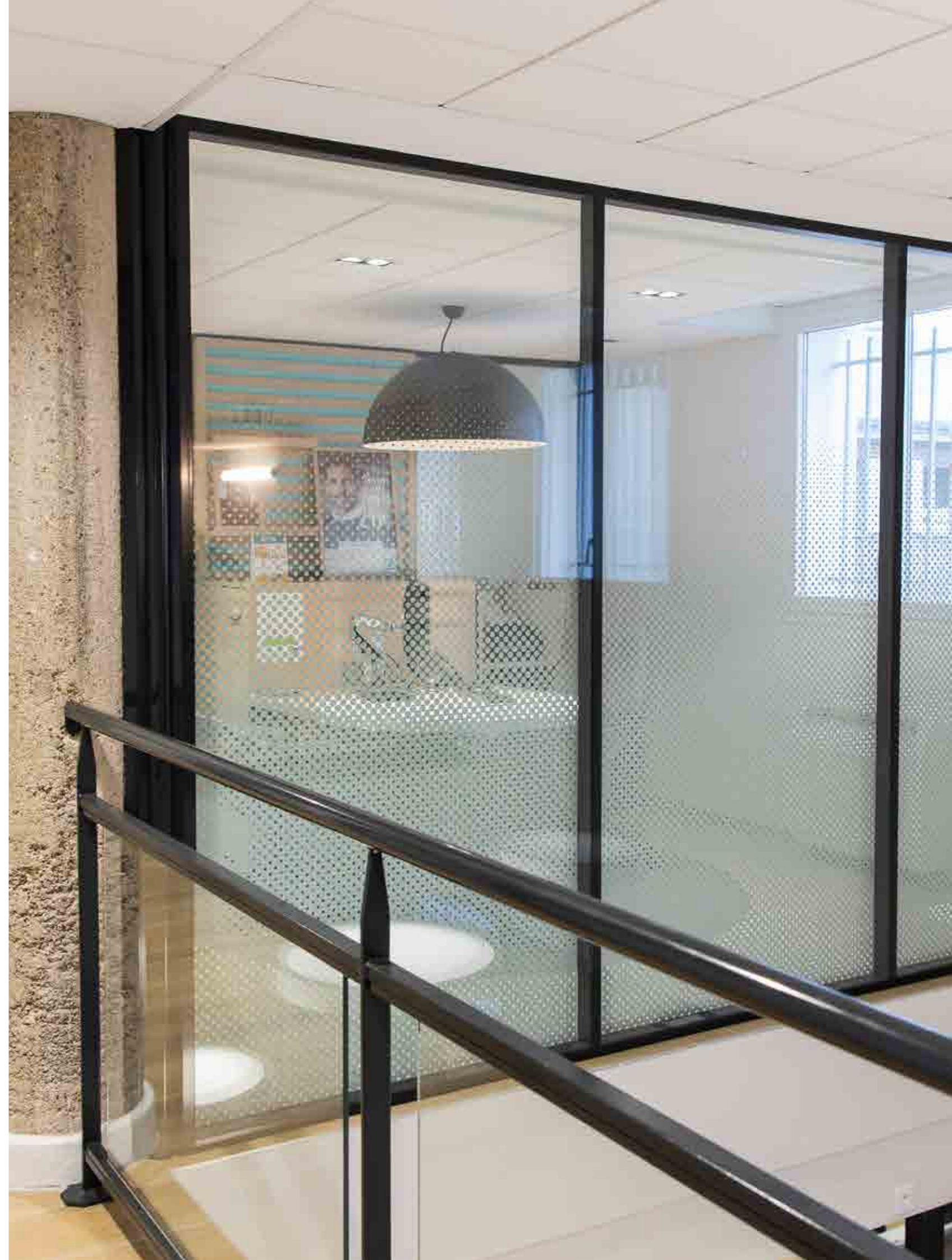
Correction of uneven levels:
horizontal and vertical

**The H9 is also available in
dubbing wall!**



STC RATING
44 > 50 dB Rw
41 > 48 dB Ra

**TRAVERSE LOAD
CERTIFICATION
CERFF**



H9 TRANSPARENCY

H9T

PARTITION WITH ONLY FULL HEIGHT DOUBLE GLAZING

96mm (3-3/4") partition without any intermediate post between the glazing

Glazing vertically maintained with connecting strip:

- Anodized or black aluminium
- Polycarbonate
- Adhesive I-shaped

Double glazing with polished edges:

- Tempered glass (10mm-3/8")
- Laminated glass 44/6 (10mm-3/8") to 55/2 (10,8mm - 7/16" Laminated)

Angles: Connecting strip 2D / 3D

STC RATING

46 dB Rw

44 dB Ra

TRAVERSE LOAD
CERTIFICATION



H9 PANEL TO-PANEL

H9B

PARTITION WITH A
PENCIL-LINE JUNCTION
BETWEEN PANEL
ON 1 OR 2 SIDES

96mm (3-3/4") partition without
any intermediate cover-trim
between panels

Adjusting system enabling
perfect panels flatness

Double panels 16mm (5/8")

Finishes: melamine faced,
laminated

STC RATING
46 dB Rw
42 dB Ra
CERFF



HF10

FIRE-RATED ALUMINIUM FRAME PARTITION

Aluminium frame (104mm-4 1/8") with thermal breaks

Standard height up to 3000mm (118 1/8") + 500mm (19 1/4") gypsum fall
(> 3000mm-118 1/8": upon request)

Partitions with cover-trims (50mm)

- Double panels: plasterboards 13mm (1/2")
- Double glazing: 1 side Pyrobelite (7mm-1/4") + 1 side Pyrobelite 10 (11mm-7/16")

Finish: vinyl

Angle: 90° square

Installation: bracket

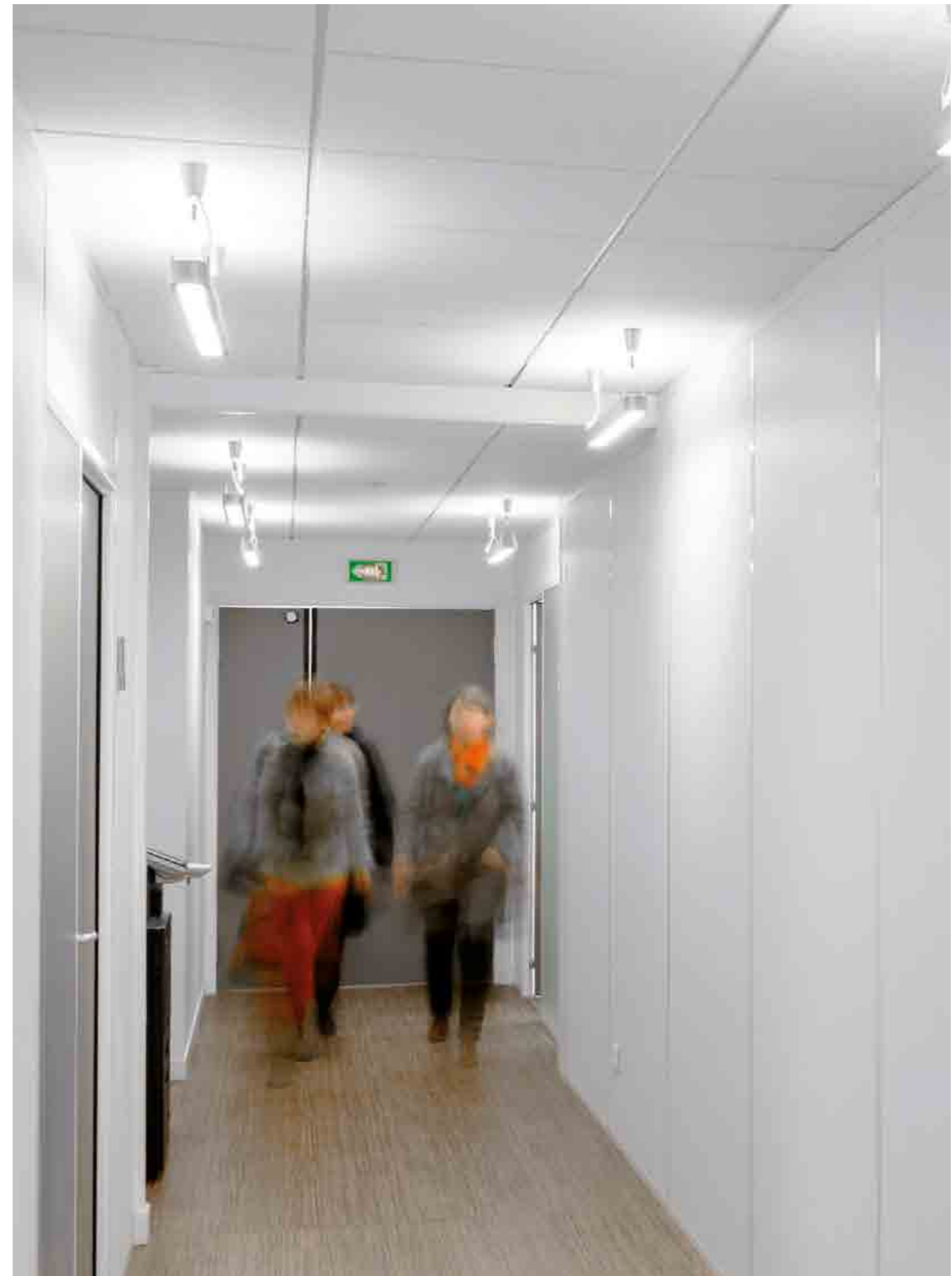
STC RATING

45 > 46 dB Rw

43 > 45 dB Ra

FIRE-RATED

Fully glazed modules + wood door: 30 min.
Solid modules: 60 min.



H SOLUTION

H7DW - BATI H

SOLUTIONS
TO INTEGRATE
ALUMINIUM FRAME
IN DRYWALL
OPENINGS

H7DW

Glazed frame allowing passage of light in all drywalls from 74 to 152mm thick.

Single or double glazing:

- Tempered glass: 6 (¼") - 8 (⅙") - 10 (⅜") - 12 mm (½")
- Laminated glass: 33/2 (¼") - 44/2 (⅙") - 55/2 (⅜") - 66/2 (½")

With or without transom / upright

BATI H

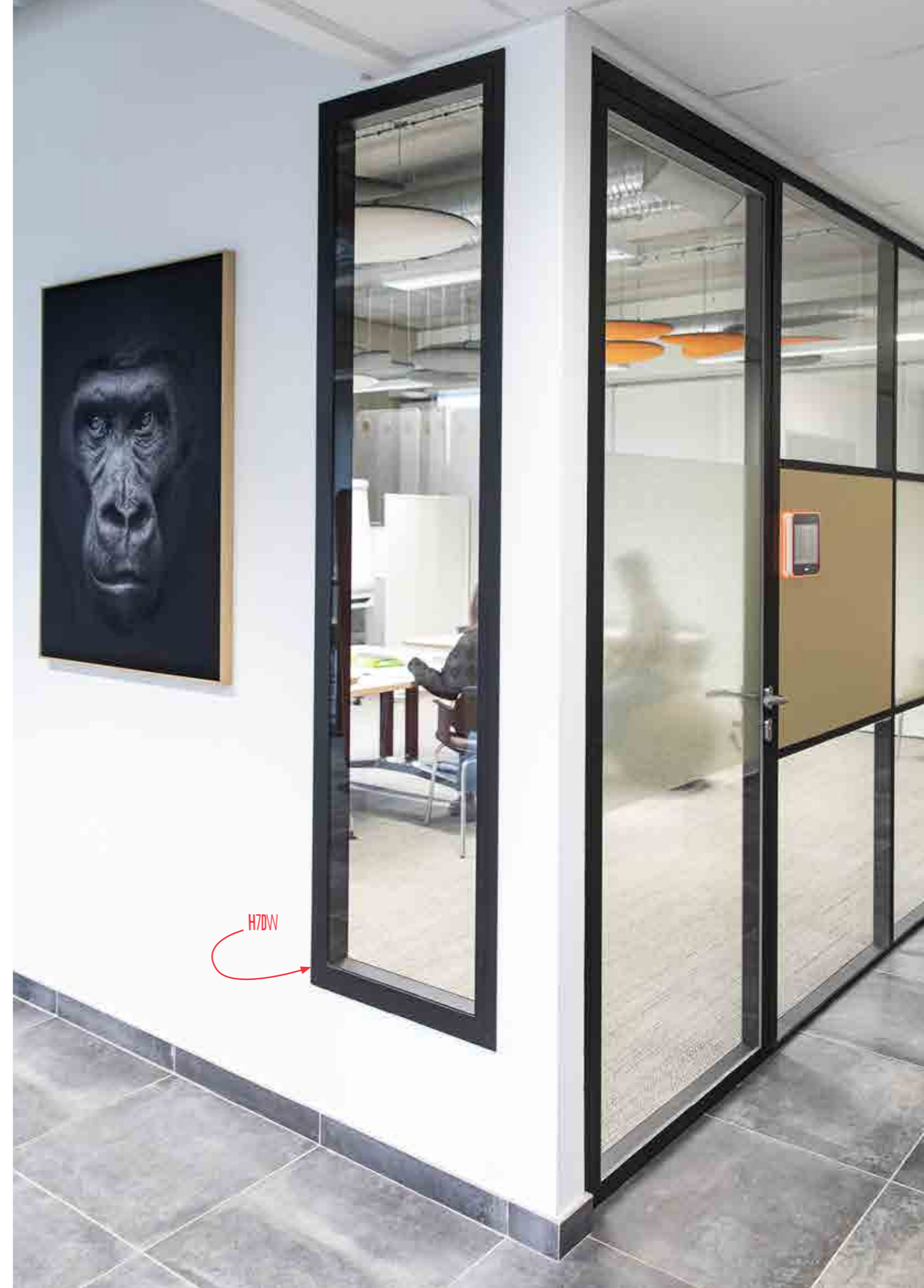
Aluminium frame 60mm (2 ⅜") allowing quick integration of doors in a drywall from 74 (2 ⅙") to 160mm (6 ⅙") thick.

Suitable to doors:

- hOyez door ranges with aluminium frame
- Wood door, with or without overpanel
- Wood / Glazing door, with or without overpanel

Hanging systems:

- Standard and steel hinges
- Pivots





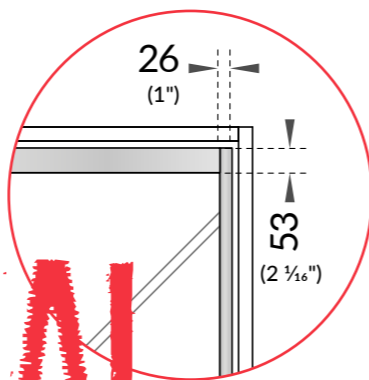
DOORS

Single or double, sliding or swinging, with refined frame, flush, with fully integrated overpanel, full height, with hinges, pivots...

Our door range comes in a variety of forms to fit perfectly/harmoniously in all Hoyez partitions



TERTIAL



DOOR WITH MINIMALIST ALUMINIUM FRAMEWORK

Single or double swing

41mm (1 5/8") thick
Maximum height: 2950mm (116 1/8")

Single glazing (6mm-1/4")
Double door with aluminium central door case⁽¹⁾ and choice of locking height (140 / 675mm)

Specifications:

Choice of one-piece door frame in Transparence partition

Lock include:

- ⁽²⁾ door fitting only (Hoppe)
- ⁽³⁾ lock case + adaptable european or Kaba lock



Options :

- Access control
- Front mount automatic drop seal (door with pivots)
- Integrated drop seal (door with hinges)
- Door closer (surface mount)

Swing door Hanging systems:

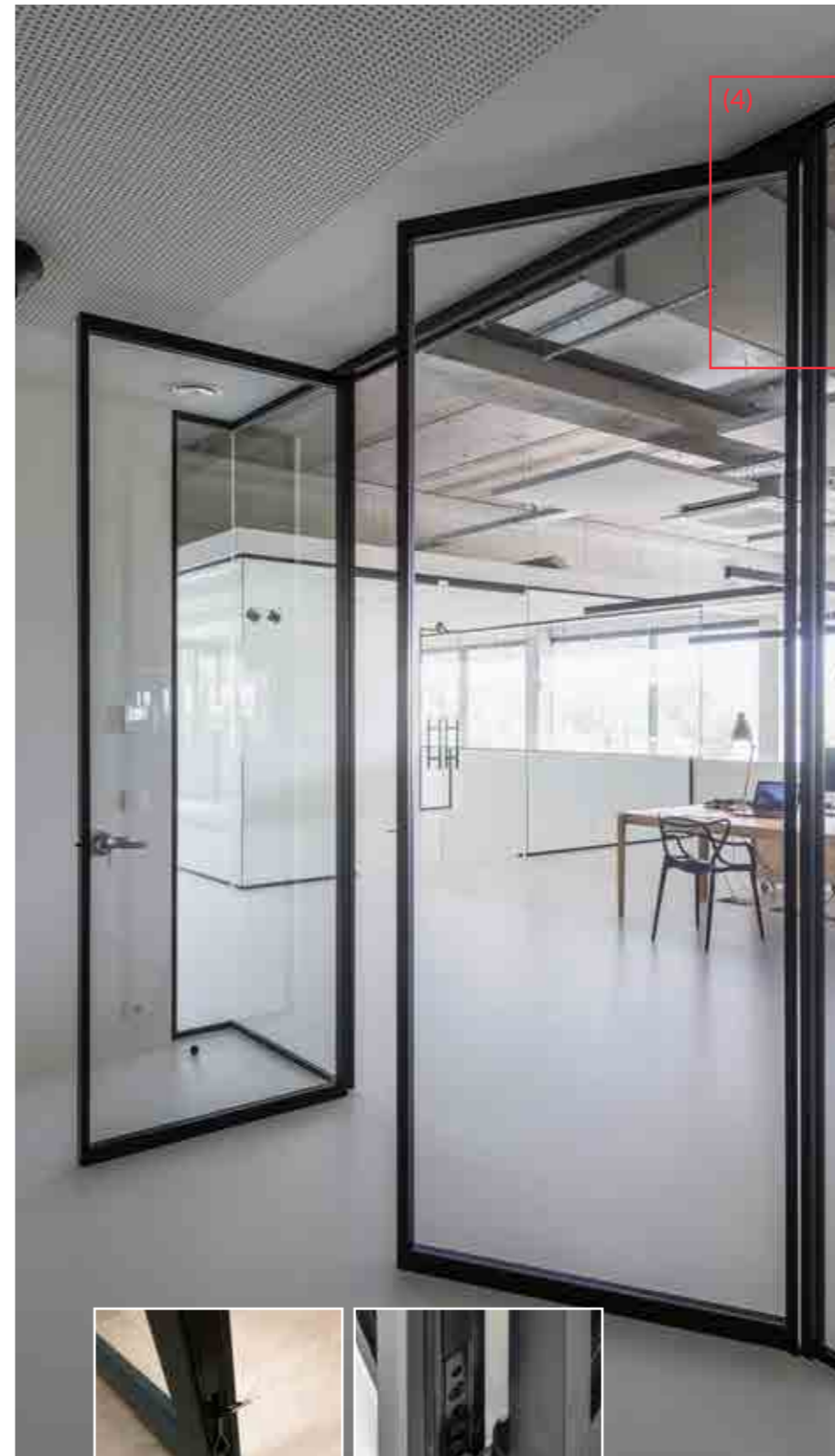
- Pivots ⁽⁴⁾
- Anodised / lacquered hinges ⁽⁵⁾
- Simonswerk stainless steel hinges

Sliding door Hanging systems:

- Cube system (front mount rail) ⁽⁶⁾
- Easy system (integrated rail in the partition)

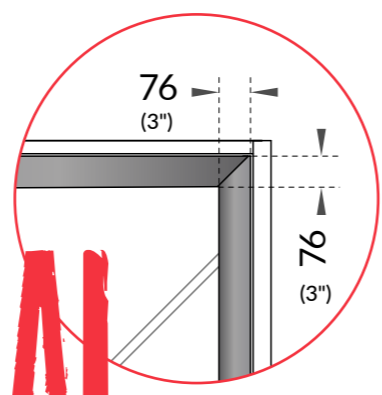
STC RATING
29 > 35 dB Rw
28 > 34 dB Ra

INTEGRATED IN:
HT - H5 - H7 - H9
BÂTI'H





LINEAL



**ALUMINIUM FRAME
DOOR WITH STATED
ACOUSTIC**

Single or double swing

40mm (1 5/16") thick
Maximum height: 2950mm (116 1/8")

Single glazing : 33/2 (5/4") - 44/2 (5 1/16") - 55/2 (3 3/8")

Double door with aluminium central door case and choice of locking height (140 / 675mm)

Specifications:

Integrated drop seal ⁽¹⁾

Guaranteed rigidity for very high doors, due to the 76mm (3") vertical and horizontal posts

Choice of one-piece door frame in Transparence partition

Equipped with a special integrated lock, with or without européen lock

Options:

- Access control
- Door closer
- Invisible door closer ⁽²⁾



**Swing door
Hanging systems:**

- Anodised / lacquered hinges ⁽³⁾
- Simonswerk stainless steel hinges
- Invisible hinges, integrated in H7, to the reinforced door pole door pole

STC RATING
31 > 41 dB Rw
31 > 40 dB Ra

INTEGRATED IN :
HT - H5 - H7 - H9
BÂTI'H



2 height for the lock system (140 / 675mm)



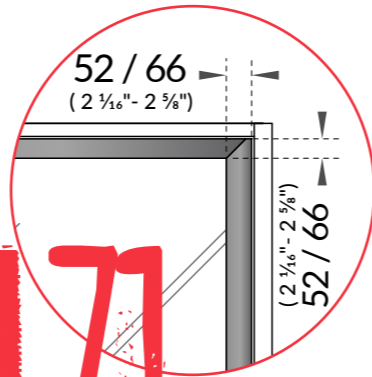
Specific lock created to reduce the sound of door closure and increase the lifespan



Automatic and invisible skirting to optimize acoustic



H'FLUSH 71



FULL HEIGHT FLUSH DOOR WITH ALUMINIUM FRAMEWORK

Single or double swing
Maximum height: 2960mm (116 1/16")
Double glazing: 6+8mm (Tempered 1/4" + 5/16") - 33/2+ 44/2 (Laminated 1/4" + 5/16")
Double door with aluminium central door case and choice of locking height (140 / 675mm)

Specifications:
Integrated skirting (bottom of the door)
Flush door, on the 2 sides of the H7 partition

- Options:**
- Access control
 - Door closer
 - Invisible door closer

STC RATING
41 > 42 dB Rw
40 > 41 dB Ra
INTEGRATED IN H7 PARTITIONS ONLY



Swing door Hanging systems:

- Anodised / lacquered hinges
- Invisible hinges (integrated frame / door)



H'FLUSH 75 WOOD

FULL HEIGHT FLUSH WOODEN DOOR

Single or double swing
Maximum height: 2750mm (108 1/4")
Full core and laminate coating
Double door with rebate

Specification:
Flush door, on the 2 sides of the H7 partition
Integrated skirting (bottom of the door)

- Options:**
- Access control
 - Door closer
 - Invisible door closer

STC RATING
36 > 37 dB Rw
36 dB Ra
INTEGRATED IN H7 PARTITIONS ONLY

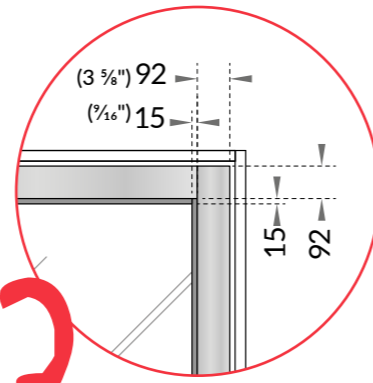


Swing door Hanging systems:

- Anodised / lacquered hinges
- Invisible hinges (integrated frame / door)



H3



DOOR WITH ALUMINIUM FRAME AND VARIOUS INFILLS

Single or double swing

40mm (1 5/16") thick
Maximum height: 2950mm (116 1/8")

Infills held with strips:
full / half-glazed or glazed (single or double glazing)

Double door with aluminium central door case and choice of locking height (140 / 675mm)

Specifications:

Various infills
Various options

Options:

- Access control
- Front mount automatic door seal
- Push bar ⁽¹⁾
- Door closer ⁽²⁾



Swing door Hanging systems:

- Anodised / lacquered hinges
- Simonswerk stainless steel hinges

Sliding door Hanging systems:

- Cube system (front mount rail)
- Easy system (integrated rail in the partition) ⁽³⁾



INTEGRATED IN
H5-H7-H9
BÂTI'H



GLASS DOOR

INTEGRATED IN
HT - H5
H7 - H9

Single or double swing

8 (5/16") or 10mm (3/8") thick
827/927 x 2034 mm (32 5/16"/36 1/2" x 80 1/16")
(+ made-to-measure)
Tempered glass

Specifications:

Choice of one-piece door frame
in Transparence partition ⁽³⁾

Swing door

Hanging systems:

- Special hinges for glass door

Sliding door

Hanging systems:

- Cube system (front mount rail) ⁽⁴⁾
- Easy system (integrated rail in the partition)

WOODEN DOOR

STC RATING
30 > 42 dB Rw
29 > 41 dB Ra

INTEGRATED IN
HT-H5-H7-H9

Single or double swing

40mm (1 5/16") thick
Maximum height: 2951mm (116 3/16")
Filling: solid core with laminated coating
Double door with aluminium central door case ⁽¹⁾ and choice of locking height (140 / 675mm)

Options:

- With or without overpanel ⁽¹⁾
- Access control
- Integrated drop seal
- Push bar
- Door closer

Swing door

Hanging systems:

- Anodised / lacquered hinges
- Simonswerk stainless steel hinges
- Pivots
- Invisible hinges, integrated in H7, to the reinforced door pole door pole

Sliding door

Hanging systems:

- Easy system (integrated rail in the partition) ⁽²⁾



ACOUSTIC PERFORMANCES

STC RATING

FINISHES & CERTIFICATIONS

credit: ©Triad - ©Vincent Uetwiller-studio VU - ©Szymon Polanski
 non contractuelles

H5

H7

H9

Fully solid module	43 > 47 dB Rw 40 > 44 dB Ra	41 > 52 dB Rw 39 > 48 dB Ra	44 > 50 dB Rw 41 > 48 dB Ra
Fully solid or fully glazed module + door	41 dB Rw 40 dB Ra	29 > 42 dB Rw 28 > 42 dB Ra	41 dB Rw 40 dB Ra
Fully glazed module	39 > 41 dB Rw 38 > 39 dB Ra	42 > 50 dB Rw 40 > 49 dB Ra	46 dB Rw 43 dB Ra

HT

H5T

H7T

H9T

Fully glazed module	32 > 40 dB Rw 30 > 40 dB Ra	34 > 44 dB Rw 32 > 43 dB Ra	41 > 47 dB Rw 39 > 46 dB Ra	46 dB Rw 44 dB Ra
---------------------	--------------------------------	--------------------------------	--------------------------------	----------------------

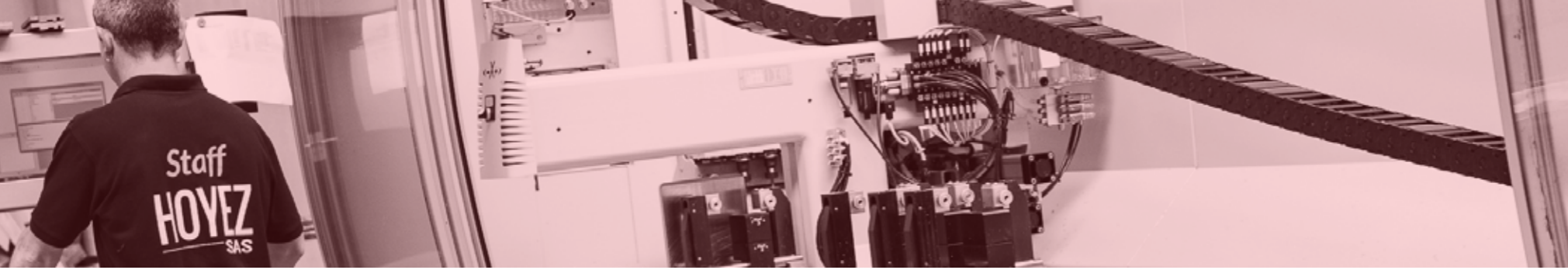
H5JC

H7B

H9B

Fully solid module	44 > 49 dB Rw 42 > 47 dB Ra	41 > 49 dB Rw 39 > 46 dB Ra	46 dB Rw 42 dB Ra
--------------------	--------------------------------	--------------------------------	----------------------

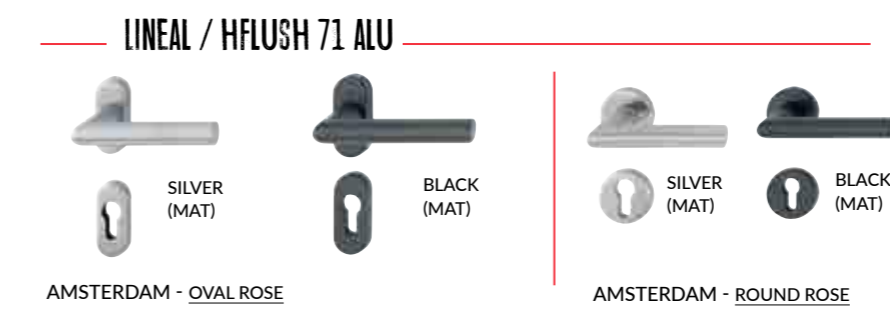
MAIN FEATURES



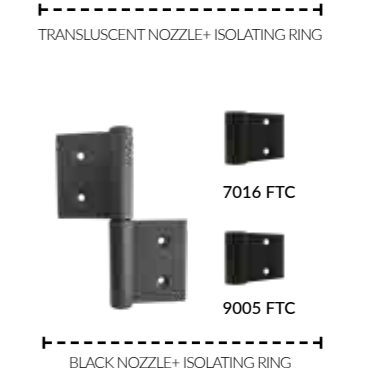
DOOR FITTINGS

	STANDARD			EDGE TO EDGE PANELS			EDGE TO EDGE GLAZING				
	Finishes: Strips	Finishes: Cover-trims	Finishes: Cover-trims	Suspended panels	Edge to edge	Edge to edge	Centered single glazing or double glazing	Single or double glazing	Double glazing	Centered single glazing	Fire-rated
	H5	H7	H9	H5JC	H7B	H9B	H5T	H7T	H9T	HT	HF10
General characteristic:											
Partition thickness (mm)	60 2 3/8"	75 2 15/16"	96 3 3/4"	92-100 3 3/8"-4"	75 2 15/16"	96 3 3/4"	60 2 3/8"	75 2 15/16"	96 3 3/4"	30 1 1/16"	104 4 1/16"
Height: 3000mm (118 1/8") and +	•	-	•	•	-	-	•	•	-	•	-
dB rating (dB Rw) / STC rating	47	52	50	40	49	46	44	48	46	36	46
Traverse load certification (until 3m)	•	•	•	-	-	-	-	DV/DG	•	-	-
Kind of infills:											
Single panel (centred)	•	-	-	-	-	-	-	-	-	-	-
Double panels	•	•	•	•	•	•	-	-	-	-	•
Single glazing	•	•	•	-	-	-	•	•	-	•	-
Double glazing	•	•	•	-	-	-	•	•	•	-	•
Infills fixing:											
Strips	•	-	-	-	-	-	•	-	-	•	-
Cover-trims (mm)	-	23-30	35	-	(30)	(35)	-	23-30-40	(35)	-	50
Options:											
Monobloc door jamb	-	-	-	-	-	-	-	•	-	•	-
Blinds	•	•	•	-	-	-	-	-	-	-	-
Electric skirting	•	•	•	•	•	•	•	•	•	-	-
Writing wall	•	•	•	-	-	-	-	-	-	-	-
Glazing film	•	•	•	-	-	-	•	•	•	-	-
	H5	H7	H9	H5JC	H7B	H9B	H5T	H7T	H9T	HT	HF10

SWING DOORS



HINGES



SLIDING DOORS



PICTURES MAY DIFFER FROM ACTUAL PRODUCTS



With Hoyez brand, step into a real environmental approach.

As a manufacturer, we have a strong responsibility in this area. This is why we integrate an ecological and responsible approach.

ALUMINIUM

The choice for a responsible material

Aluminum does not require energy electric only at the time of its extraction bauxite. Then, it is 100% recyclable without any lost product properties.

Only 5% of the energy of its production is necessary for its recycling. It allows saving of raw materials and energy.

Aluminium is not a forthcoming waste.

It reverts to a raw material for new uses.

ALUMINIUM FRAME PARTITIONS AND DOORS


The choice of a virtuous layout

From their design phase, hOyez products are thought to be reusable and reconfigurable any way customer wishes, aspect validated by the removability certificate CERFF.


hOyez aluminium partitions and doors can be set up, dismantled, reused and transformed while ensuring resistance, endurance and acoustic.

HOYEZ

The choice of a committed manufacturer


 ISO 9001 - ISO 14001
HOYEZ, a certified company.

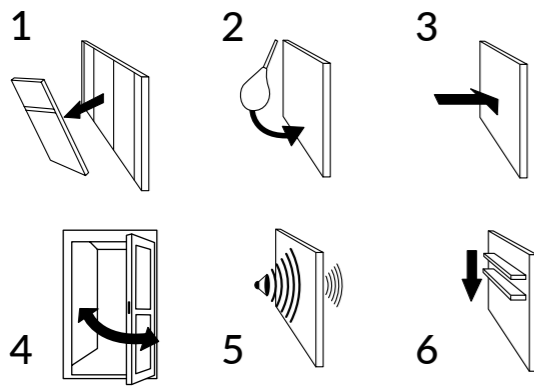


 Our products are rigorously selected and are part of an eco-design and sustainable development approach, with criteria of high energy performance, carbon footprint, natural resource management and sustainability.



You can directly benefit from our ecological commitment contributions for your certification processes LEED or BREEAM.

With hOyez, Think Green 

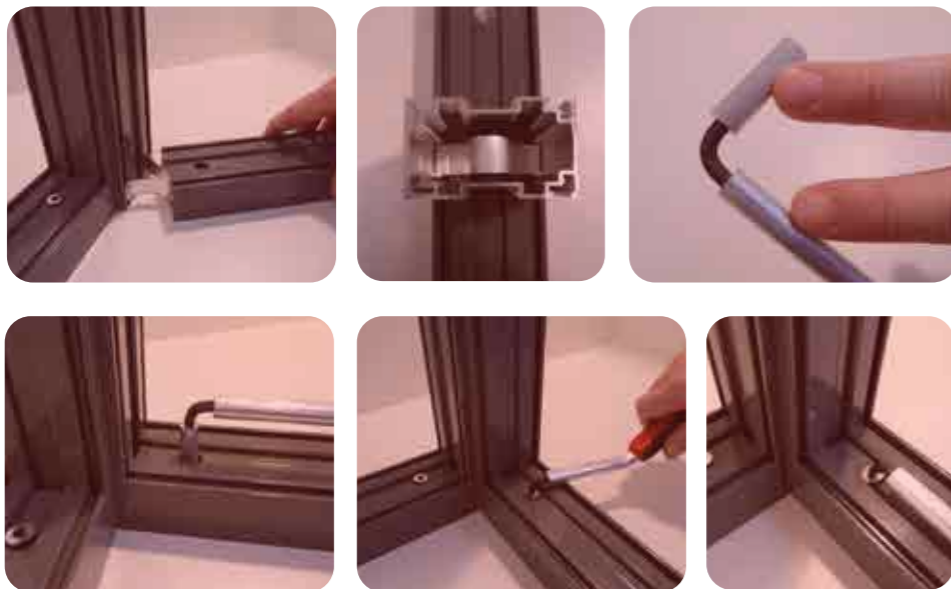


GUARANTEE OF TECHNICAL, SAFE & ECOLOGICAL PRODUCTS

After passing all the mechanical and sound tests in use, the HOYEZ partitions enjoy the French C.E.R.F.F. certificates.

- | | |
|--------------------------------------|--------------------|
| 1. Demountability and relocatability | 4. Durability |
| 2. Shock Resistance | 5. Sound reduction |
| 3. Traverse load | 6. Vertical load |

A CLEVER & EFFICIENT ASSEMBLY SYSTEM



Assemble, remove, replace...

The majority of hOyez® partitions can be quickly installed thanks to the **SPRING & ECCENTRIC SCREW**, basic concept of the relocatable partition.

INSPIRING SPACES

Imaginez vos espaces de vie

