



R_w 35 ÷ 39 dB



system consistency
with GSW Office

Urban Slim door

System description

Created for lightweight design projects. They achieve high acoustic insulation parameters through acoustic glass.

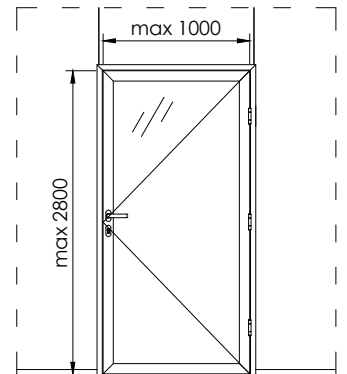
- ✓ universal mounting methods in any type of GSW Office frame - both single and double glazed walls as well as in traditional concrete wall,
- ✓ increased acoustic insulation parameters through the use of IsoSound damping filler that reduces sound penetration inside the profile,
- ✓ the narrow structure of the aluminum door frame - only 68 mm wide - creates a light and delicate visual effect, harmonizing with the permanent glazing profiles,
- ✓ many finishing options - aluminum profiles are available in a wide range of colors of anodic or varnish coating with corresponding color selection of the seals.



Urban Slim door

Specification

Durability*	Class 6 (200 000 cycles)
Type of filling	VSG 44.1, 44.2, 55.1, 55.2
Max height (mm)	2800
Max width (mm)	1000
Acoustic insulation	$R_w = 35 \div 39$ dB; $R_{A1} = 34 \div 38$ dB
Smoke tightness	on request
Fire resistance	-
Materials / finish	Anodized aluminum / Aluminum RAL

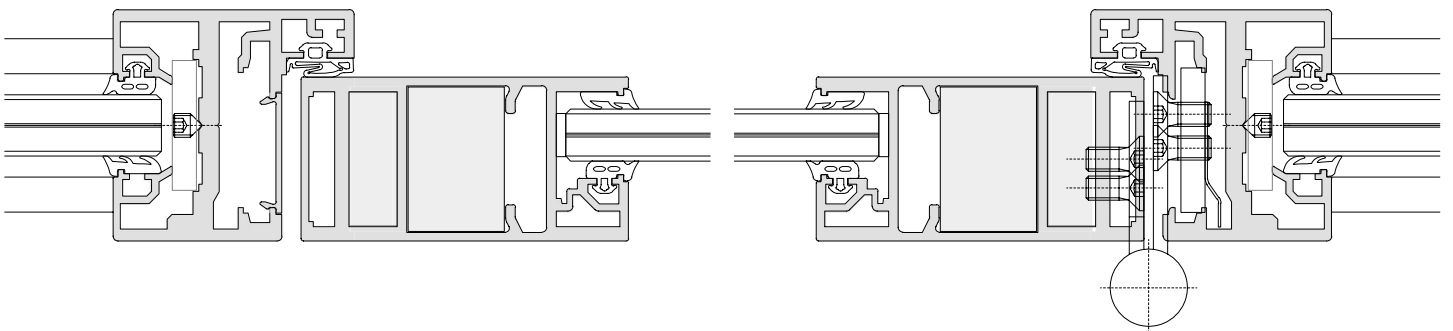


* According to PN-EN 12400:2004

Acoustic insulation

Glass	R_w [dB]	C [dB]	R_{A1} [dB]	$R_{A1,R}$ [dB]
VSG 44.1	35	-1	34	32
VSG 44.1 + IsoSound	36	-1	35	33
VSG 44.2 Si*	37	0	37	35
VSG 44.2 Si* + IsoSound	38	-1	37	35
VSG 55.1 + IsoSound	37	-1	36	34
VSG 55.2 Si* + IsoSound	39	-1	38	36

*Si - Saint-Gobain Glass Stadip Silence



There is also a version with a hidden hinge in the door frame.