



EI 30, EI 60



$R_w$  38 ÷ 42 dB

35  
mm

Aesthetic profile

GSW Office FR

## System features

### A single-glazed system of fireproof walls

- fire resistance depending on the used glass – EI 15, EI 30 or EI 60 – allows to properly select wall parameters to meet the requirements of a given project,
- increased acoustic insulation parameters that meet the requirements for office rooms,
- profile height of 35 mm ensures not only attractive design, but also full consistency with all other products from the GSW Office family,
- innovative mounting system – steel elements fixing glass do not require screwing and are used for mounting cover profiles at the same time.


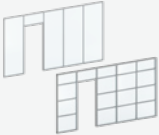


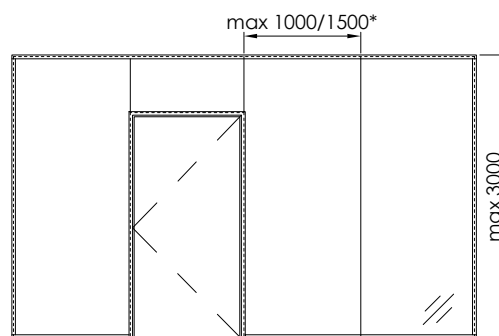
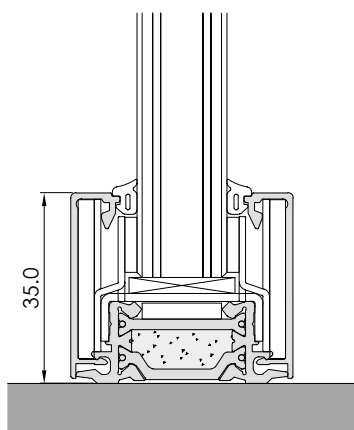
## Specification

	GSW Office FR	GSW Office FR Grid
Category of use	III / IV*	
Category of space	A, B, C, D, E	
Type of glass	Contraflam Structure 30 Pyrobel 16 VL, 16 EG VL, 25 VL	Contraflam 30 Pyrobel 16, 16 EG
Max. height (mm)	3000 mm	3000 mm
Acoustic insulation	$R_w = 38 \div 42$ dB / $R_{A1} = 36 \div 41$ dB	$R_w = 39 \div 41$ dB / $R_{A1} = 38 \div 40$ dB
Fire resistance	EI 15 / EI 30 / EI 60	EI 30
Material / finish	Anodized aluminium / RAL aluminium	
Approval document	ETA-18/1097	

\* depending on the applied glass

## Acoustic insulation

Wall variant	Glass	Fire resistance	$R_w$ [dB]	C [dB]	$R_{A1}$ [dB]
All-glass 	Vetrotech Contraflam Structure Lite 30	EI 15	38	-2	36
	Vetrotech Contraflam Structure 30	EI 30	40	-2	38
	Vetrotech Contraflam Structure 30 Silence	EI 30	42	-1	41
	AGC Pyrobel 16 VL	EI 30	38	-1	37
	AGC Pyrobel 16 EG VL	EI 30	40	-1	39
	AGC Pyrobel 16 EG Stratophone VL	EI 30	41	-1	40
	AGC Pyrobel 25 VL	EI 60	42	-2	40
Grid 	Vetrotech Contraflam 30	EI 30	39	-1	38
	Vetrotech Contraflam 30 Silence	EI 30	41	-1	40
	AGC Pyrobel 16	EI 30	40	-1	39
	AGC Pyrobel 16 EG Stratophone	EI 30	41	-1	40



\* depending on the applied glass and system version  
Application, type and class of doors must be specified by the designer