



EI 30, EI 60



R_w 47 ÷ 53 dB

35
mm

Aesthetic profile

GSW Office Plus FR

System features

A double-glazed fireproof system offering a high-level of sound insulation

- fire resistance depending on type of glass - EI 30 or EI 60 - allows for the proper selection of wall parameters to the project requirements,
- high sound insulation properties - R_w up to 53 dB - through double glazing,
- 35 mm of mounting profile ensures not only lightness and aesthetics but also full integrity with all other GSW Office products.



Specification

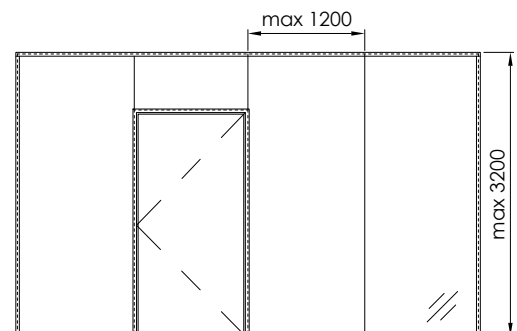
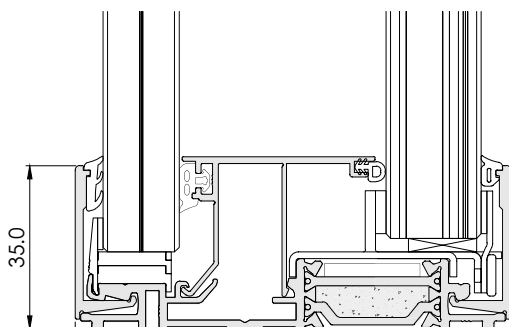
	GSW Office Plus FR	GSW Office Plus FR Grid
Category of use	IV	on request
Category of space	A, B, C, D, E	
Type of glass	Pyrobel 16 VL, 16 EG VL, 25 VL, VSG 55.X, 66.X, 88.2	
Max. height (mm)	3200 mm	
Acoustic insulation	$R_w = 47 \div 53$ dB / $R_{A1} = 46 \div 51$ dB	
Fire resistance	EI 30, EI 60	
Material / finish	Anodized aluminium / RAL aluminium	
Approval document	ETA-20/0630	

Acoustic insulation

Wall variant	Glass	Fire resistance	R_w [dB]	C [dB]	R_{A1} [dB]
All-glass 	AGC Pyrobel 16 VL + VSG 55.1	EI 30	47	-1	46
	AGC Pyrobel 16 VL + VSG 66.2 Si*	EI 30	49	-1	48
	AGC Pyrobel 16 VL + VSG 88.2 Si*	EI 30	50	-1	49
	AGC Pyrobel 16 EG VL + VSG 88.2 Si*	EI 30	51	-1	50
	AGC Pyrobel 16 EG St** VL + VSG 88.2 Si*	EI 30	53	-2	51
	AGC Pyrobel 25 VL + VSG 66.2 Silence	EI 60	51	-1	50

*Si - Saint-Gobain Glass Stadip Silence

**St - Stratophone



Application type and class of doors must be specified by the designer