



$R_w$  41 ÷ 56 dB

35  
mm

Aesthetic profile

## GSW Office Plus

### System features

A double-glazed system dedicated for rooms meant to host confidential talks, such as directors' offices and conference rooms

- ✓ the highest acoustic insulation parameters –  $R_w$  even up to 56 dB – for office rooms requiring the highest level of privacy,
- ✓ mounting profile 35 mm high, consistent with all GSW Office products,
- ✓ quick and convenient assembly thanks to a system of spacers and special elements protecting glass during installation,



## Specification

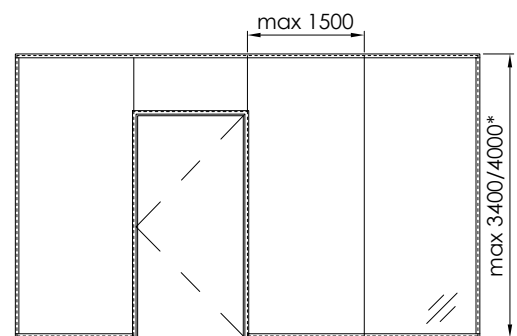
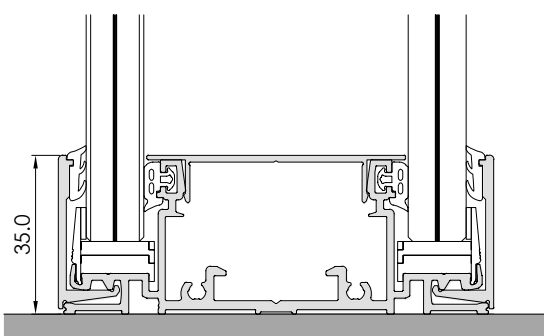
	GSW Office Plus	GSW Office Plus Grid
Category of use	IV	
Category of space	A, B, C, D, E	
Type of glass	ESG 10, 12; VSG 55.X, 66.X, 88.2	ESG 8, 10, 12; VSG 44.X, 55.X, 66.X, 88.2
Max. height (mm)	3400 mm	4000 mm
Acoustic insulation	$R_w = 41 \div 52 \text{ dB} / R_{A1} = 39 \div 50 \text{ dB}$	$R_w = 47 \div 56 \text{ dB} / R_{A1} = 44 \div 54 \text{ dB}$
Fire resistance	-	-
Material / finish	Anodized aluminium / RAL aluminium	
Approval document	ETA-17/1050	

## Acoustic insulation

Wall variant	Glass	$R_w$ [dB]	C [dB]	$R_{A1}$ [dB]
All-glass	ESG 10 / ESG 10	41	-2	39
	VSG 55.1 / VSG 55.1	41	-2	39
	ESG 10 / VSG 55.1	43	-1	42
	VSG 55.1 / VSG 66.2	44	-2	42
	VSG 66.2 / VSG 66.2	44	-1	43
	VSG 66.2 Si* / VSG 55.1	45	-2	43
	VSG 66.2 Si* / VSG 55.2 Si*	47	-2	45
	VSG 66.2 Si* / VSG 66.2 Si*	48	-1	47
	VSG 66.2 Si* / VSG 66.2 Si*	52	-2	50
	VSG 88.2 Si* / VSG 88.2 Si*	51	-1	50
endoGrid	VSG 66.2 / VSG 66.2	49	-3	46
	VSG 66.2 Si* / VSG 66.2 Si*	52	-3	49
	VSG 66.2 Si* / VSG 66.2 Si*	56	-3	53
	VSG 66.2 / VSG 66.2	53	-2	51
egzoGrid	VSG 44.1 / VSG 55.1	47	-3	44
	VSG 66.2 Si* / VSG 66.2 Si*	51	-1	50
	VSG 44.1 / VSG 55.1	50	-2	48
	VSG 66.2 Si* / VSG 66.2 Si*	53	-1	52

endoGrid - internal muntins  
egzoGrid - external muntins

\*Si - Saint-Gobain Glass Stadip Silence



\*depending on the system version