



$R_w 33 \div 41$ dB

35
mm

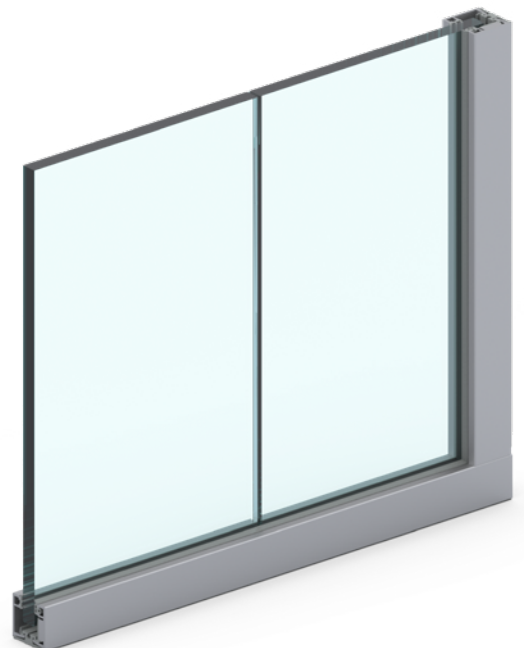
Aesthetic profile

GSW Office

System features

A single-glazed system meant for typical office spaces

- enhanced acoustic insulation parameters thanks to the innovative IsoSound solution reducing sound penetration through the profile,
- small 35 mm mounting profile, consistent with all GSW Office products,
- quick and convenient assembly thanks to a system of spacers and special elements protecting glass during installation.



Specification

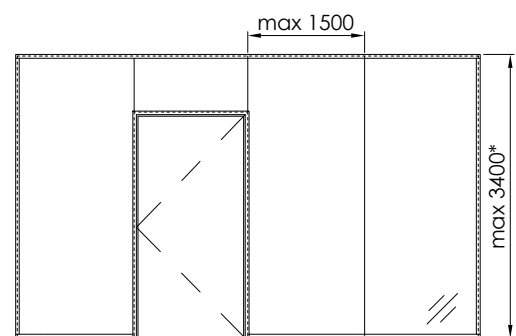
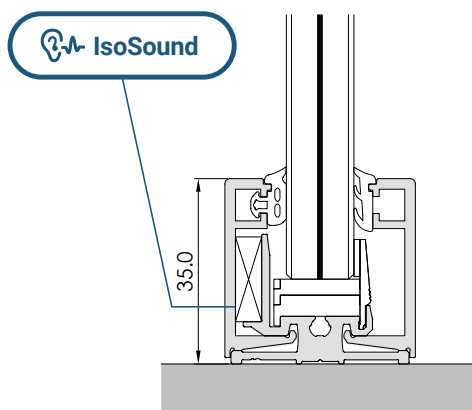
	GSW Office	GSW Office Grid
Category of use	III / IV*	
Category of space	A, B, C, D, E	
Type of glass	ESG 10, 12; VSG 55.X, 66.X, 88.2, 106.2	ESG 10, 12; VSG 55.X, 66.X, 88.2
Max. height (mm)	3200 / 3400 mm*	3400 mm
Acoustic insulation	$R_W = 33 \div 41 \text{ dB} / R_{A1} = 31 \div 40 \text{ dB}$	$R_W = 36 \div 41 \text{ dB} / R_{A1} = 35 \div 40 \text{ dB}$
Fire resistance	-	-
Material / finish	Anodized aluminium / RAL aluminium	
Approval document	ETA-16/0446	

* depending on the applied glass

Acoustic insulation

Wall variant	Glass	R_W [dB]	C [dB]	R_{A1} [dB]
All-glass	ESG 10	33	-2	31
	VSG 55.1	35	-2	33
	VSG 66.2	37	-2	35
	VSG 66.2 Si*	39	-1	38
	VSG 88.2 Si*	40	-1	39
	VSG 106.2 Si*	41	-1	40
Grid	VSG 55.1	36	-1	35
	VSG 66.2	37	-1	36
	VSG 66.2 Si*	40	-1	39
	VSG 88.2 Si*	41	-1	40

*Si - Saint-Gobain Glass Stadip Silence



* above 2800 it is recommended to use glass
ESG 12 lub VSG 66.X / 88.2