



indoor and outdoor use

GS Railing

System description

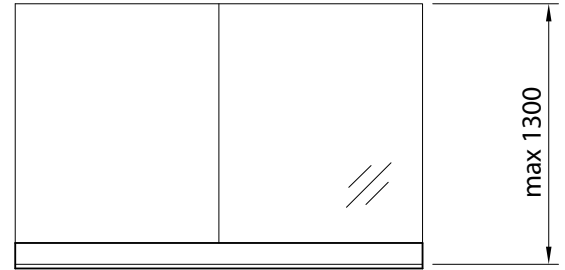
Modern glass railings suitable for offices and public buildings.

- ✓ universal mounting methods thanks to four types of base profile,
- ✓ stability and durability guarantee - glass fixing with the use of special wedges and washers,
- ✓ quick and convenient railings installation, glass setting and fixing from the inside,
- ✓ system tested at the Building Research Institute in terms of resistance to linear forces and pendulum impact according to PN-EN 13049: 2004 and prEAD 090040-00-0404,
- ✓ possibility of using any type of handrail on the upper edge of the glass - made of stainless steel, aluminum or wood.



Specification

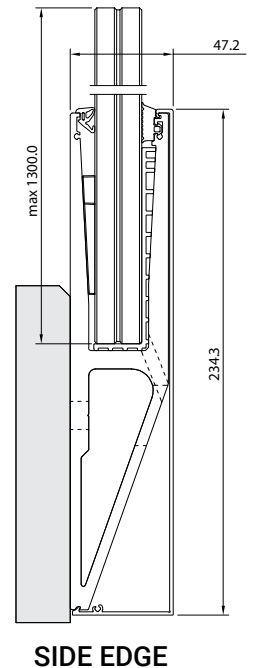
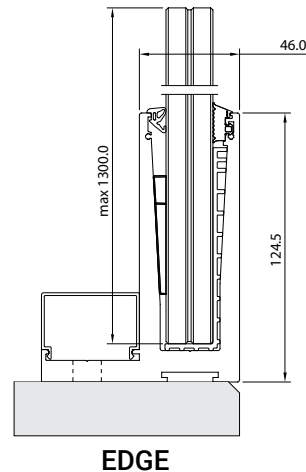
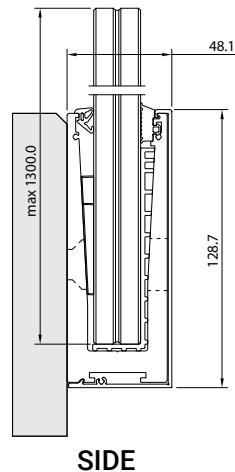
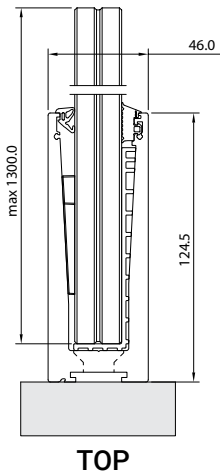
Category of rooms	A, B, C*, D
Strength	1,0 kN/m
Type of glass	VSG ESG 88.2, 88.4, 1010.2, 1010.4
Height max	1300
Materials / finish	Anodized aluminum / Aluminum RAL
Reference document	ITB-KOT-2021/1920



*excluding C5 (public areas for crowds)

From January 1, 2022, glass railings are required to be marked with the B mark based on the National Technical Assessment (KOT).

Technical sections



Strength tests

