

BOX



Woody Box [1]



100% RESPONSABLE

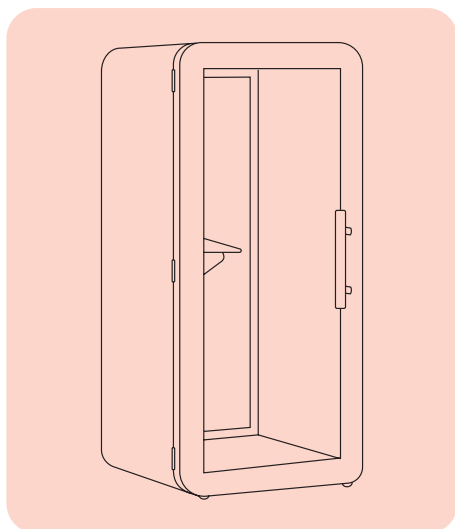
Eco designed
Made in France

100% COMFORT

High performance acoustic sound insulation and correction
Luminous [2 glazed sides]
Quiet ventilation
Automatic Lightnings
Large tablet
Integrated electric kits

100% EASY

Fast delivery & installation
Mains-power connection
General power button
Door with automatic mechanical closure
Magnetisable view braker



MYO_FP-04.2024

2 YEARS
warranty

Except electrical consumable



OEKO-TEX®
CONFIDENCE IN TEXTILES
STANDARD 100



Since 2023

BOX

Woody Box [1]

myo-solutions.com

Responsible Product



100% recyclable
Glazings
Aluminium structures
External panels

Wood

Second life threes

Ruber three wood which was originally used to produce latex. Linseed oil finish. Used for Door frame, case and tablet.

PET

600 Recycled bottles

Used to make the interior panels.

BOX

Woody Box [1]

myo-solutions.com

Configuration



- 2 filled up sides
- 2 glazed sides

Choosable opening side of the door:

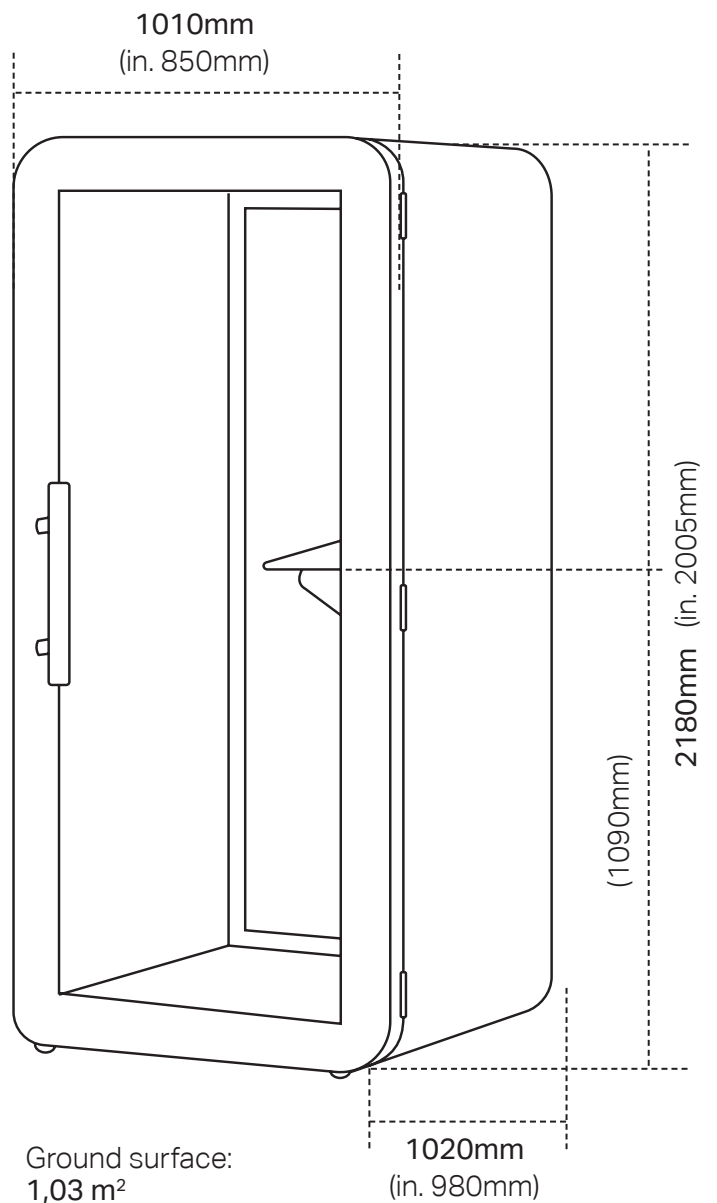
Left pushing.

Right pushing.



MYO_FP-04.2024

Dimensions



Door: W.1010mm x H. 2165mm

Threfer height: 100mm

Working Tablet: W. 650mm x D. 350mm

Thickness: 18mm

BOX

Woody Box [1]

myo-solutions.com

Acoustic & ventilated



Woody Box > Outside
-37dB



42 m³/h*

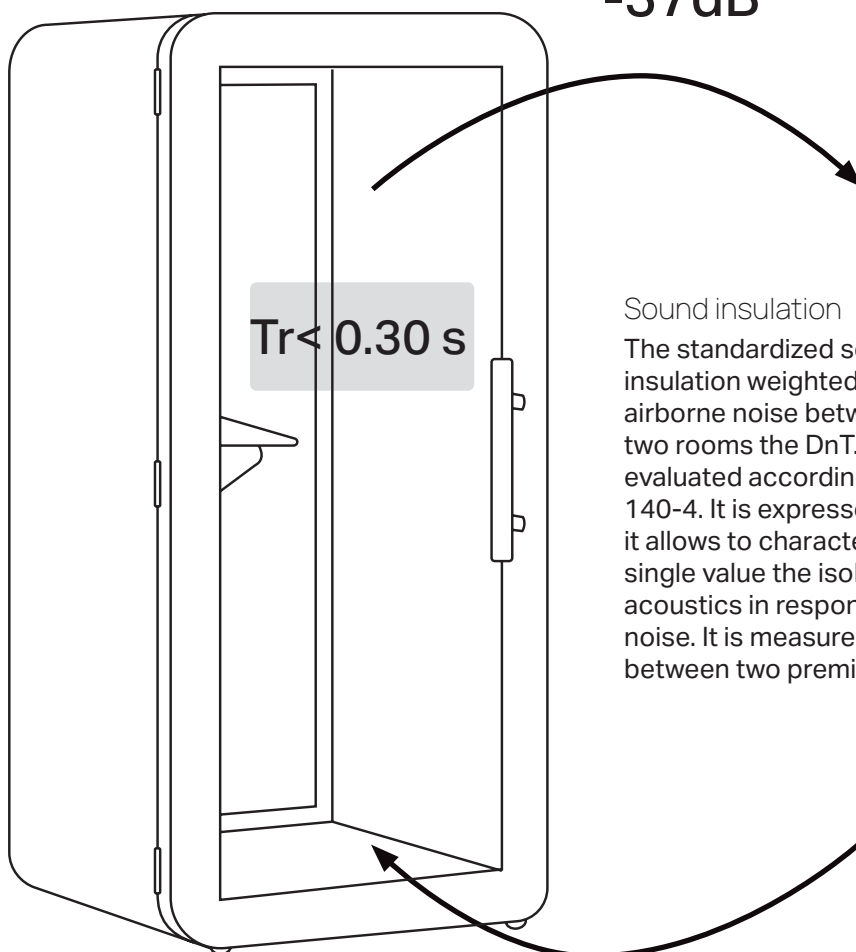
Ventilation silencieuse:
2 cycles complets de
renouvellement d'air
effectués toutes les 5
minutes.

Tr < 0.30 s

Sound absorption

The reverberation time Tr of a room is the time at end of which the sound level has decreased by 60dB

When a sound source is abruptly stopped. It depends on the absorption surface of the room and its volume (the smaller the volume of the room, the lower the Tr should be).



Sound insulation

The standardized sound insulation weighted to airborne noise between two rooms the DnT.A, is evaluated according to ISO 140-4. It is expressed in dB, it allows to characterize by a single value the isolation acoustics in response to noise. It is measured in situ between two premises.

Outside > Woody Box
-28 dB



* Ventilation manufacturer's data = 174 m³/h
This is the airflow actually measured in situ.

BOX

Woody Box [1]

myo-solutions.com

Technical Specifications

Solid exterior fillings

Laminated Medium Panels,
2 colors available: white or black

Full Inner Filling

Density polyester fiber panel
Upper light grey mottled
Wooden base with anthracite carpet tiles
Adjustable feet (flatness)

Glass exterior filling & Door



Real wood frame, rubber tree species

Linseed oil finish

Single laminated glazing, 33/2



Door mounted on 3 hinges with mechanical closing system.

Door hardware



Interior / Exterior
Inox marshal's
crook handle



Options

1. View braker to be magnetized on the back side
Width 1010mm x Height 2165mm
Choice of cutting patterns: triangles or discs

2. Interior coating fabrics
HUSH 80% polyester 20% viscose : 28 colors

BOX

Woody Box [1]

myo-solutions.com

Standard Equipment

The colors of the equipment and finishes of the Woodybox are coordinated with the chosen exterior color, white or black.

Connections

Mains connection (5 m cable)
On/off power button

Lightnings

Spot with sensor detector
1 recessed LED down-light 6W - 540 lumens

Working tablet

W. 650mm x D. 350mm - Thickness: 18mm
Position: 1090mm from the ground
Solid wood, rubber tree finish linseed oil

Electrical Connection

1 strong power outlet + 2 USB sockets
Position: 1140mm from the ground

Weight

Specific packaging in wooden crate

Size:

L. 2300 x W. 800 x H. 1300mm

With packaging: 215 kg

Without packaging: 178 kg



Assembly

To allow a careful assembly, myO products are delivered with an assembly manual.



30 mn
2 pers.